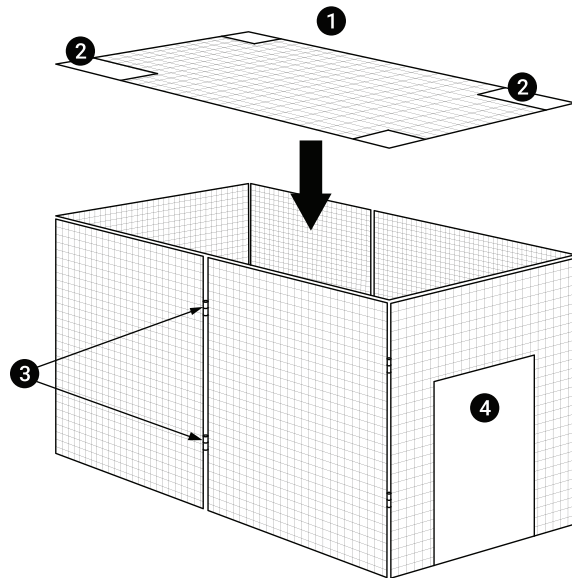


INSTRUCTIONS FOR INSTALLATION

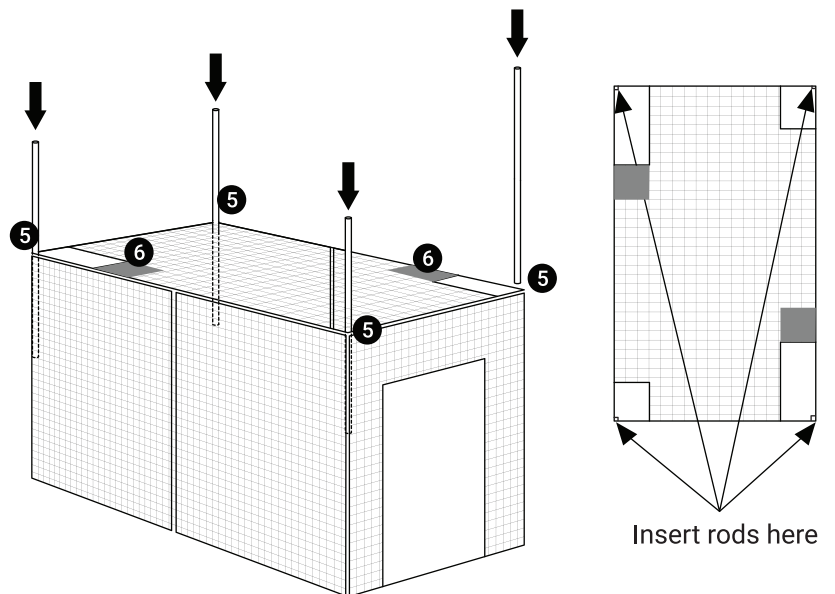
STEP 1

- 1 Install roof wire with zip tile.
- 2 Roof wire is notched out for cat access holes.
- 3 Insert connection pins into fence panel pipes to connect panels together.
- 4 Place door panel on desired side of catio.



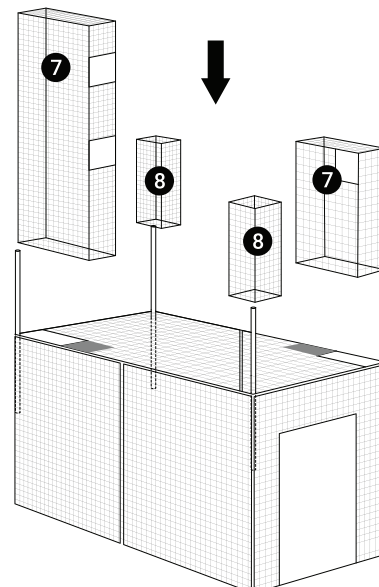
STEP 2

- 5 Insert 4 rods into each corner rod catio fence panel.
- 6 Attach carpeted step pad here.



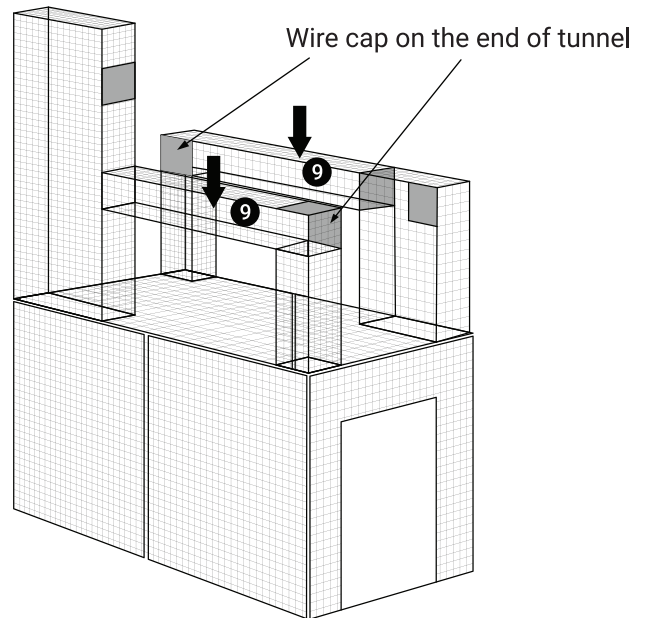
STEP 3

- 7 Attach short and tall tower to support rods with zip ties.
- 8 Attach 8"x8" columns to support rods with zip ties.



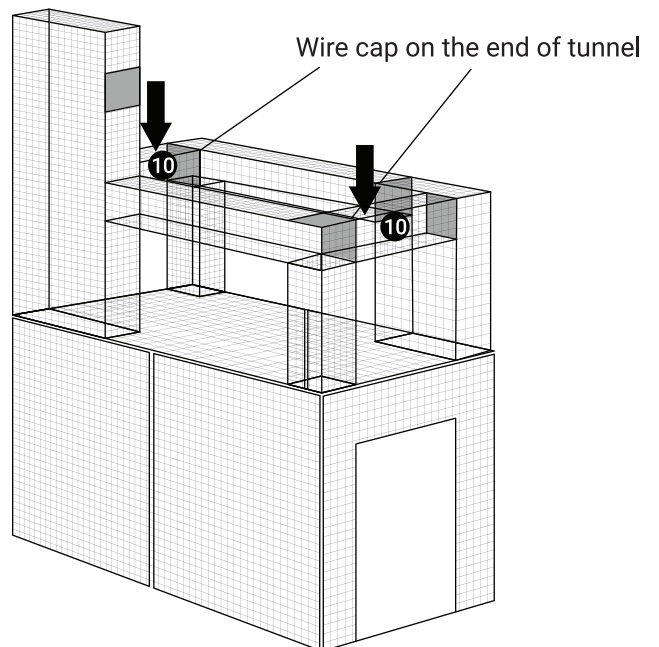
STEP 4

- 9 Place tunnels on top of columns and up against towers connect with zip ties.



STEP 5

- 10 Place short tunnels up against towers and tunnels connect together with zip ties.



STEP 6

- 11 Place top tunnel and column on top of other tunnel and column.

